






)

%

,

( )

,()

,

( )

( )

,

( )

,()

,()

, ,()

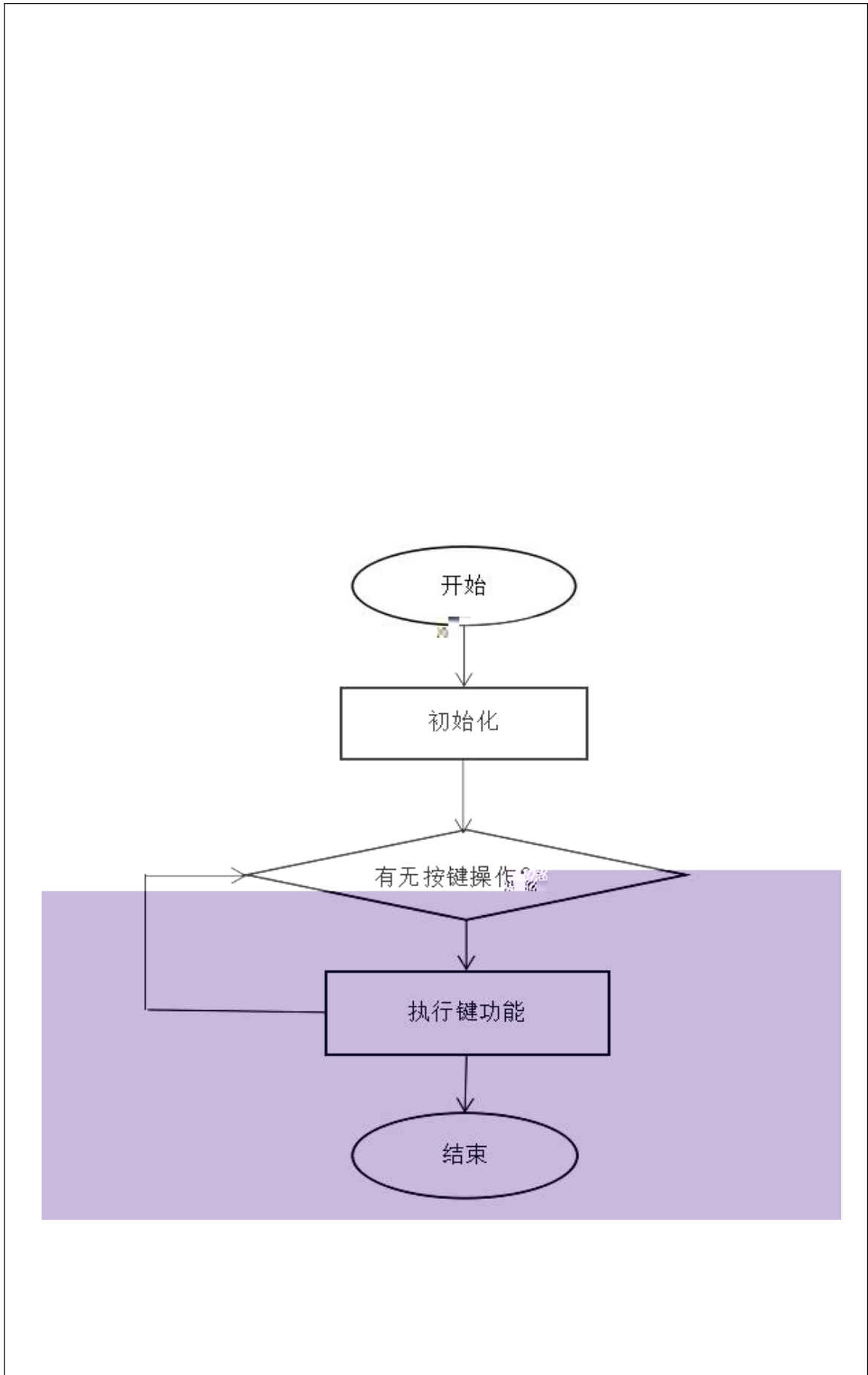
, ( )

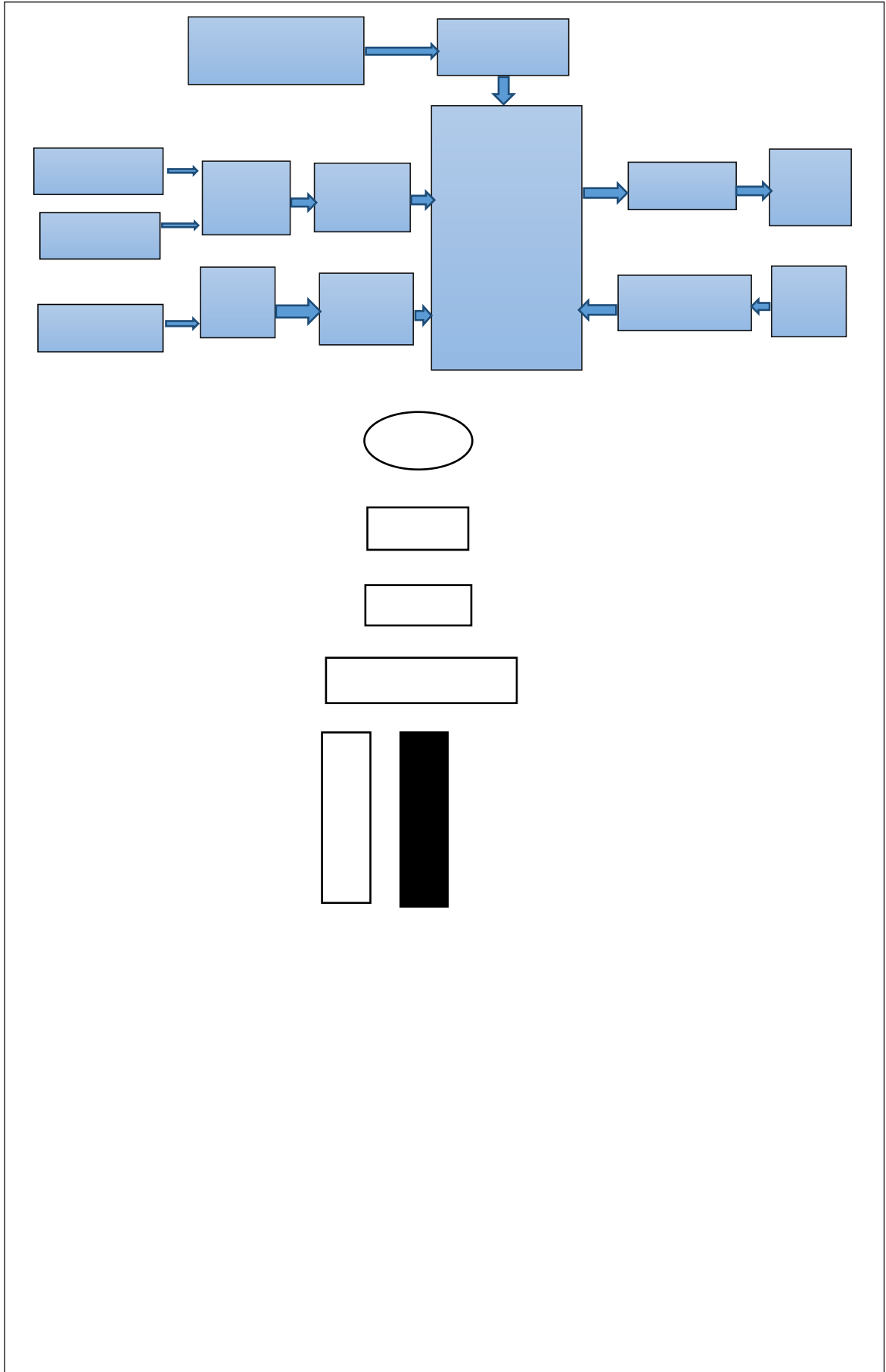
,

( )

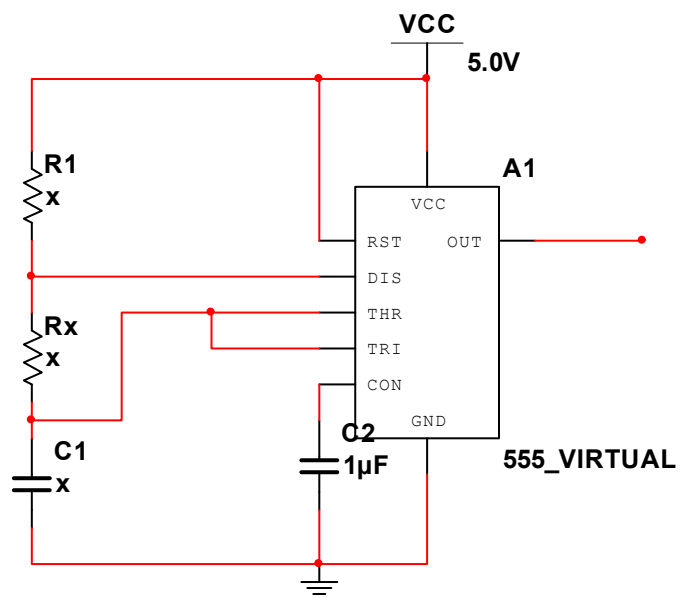
( )

( )









$$F_x = \frac{1}{(R + R_x)C}$$

$$R_x = \frac{1}{(F_x)C} - R$$

*RC*

*R*

$$L = \frac{C_x}{F}$$

$$C_x \quad L_x$$

$$C_x = \frac{F}{F} - C \quad C_x = \frac{F}{F} - L$$

$F$

$F$



